

4

3

2

1

D

D

C

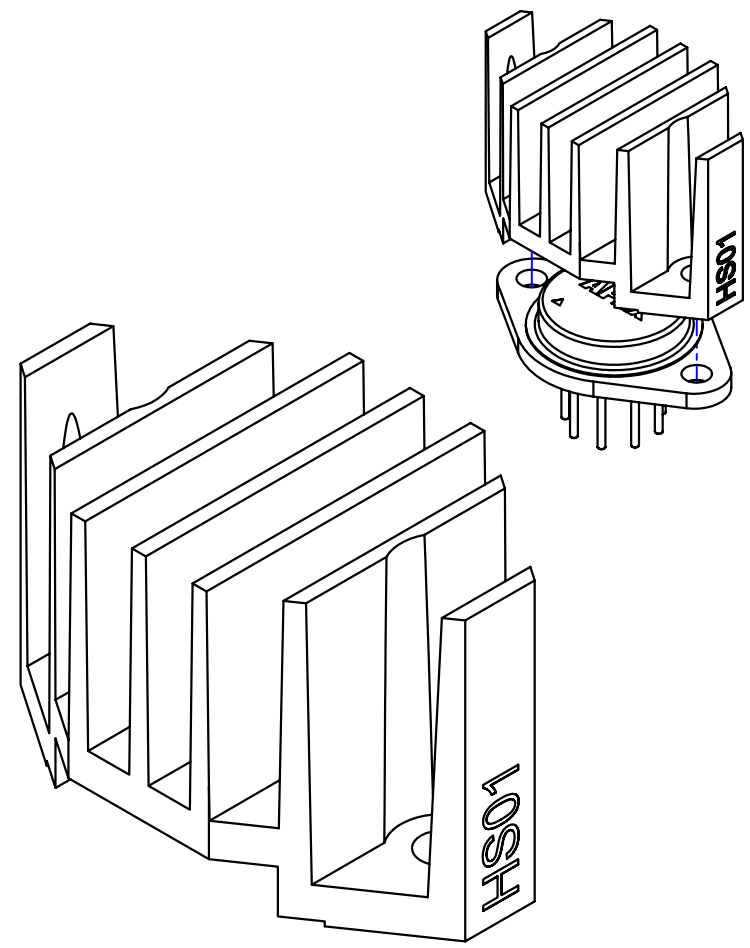
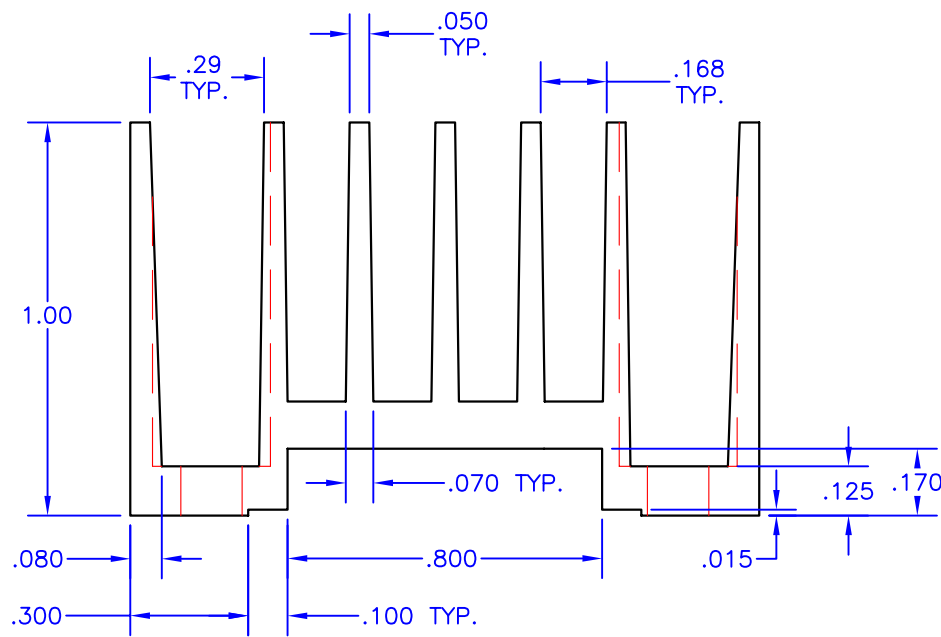
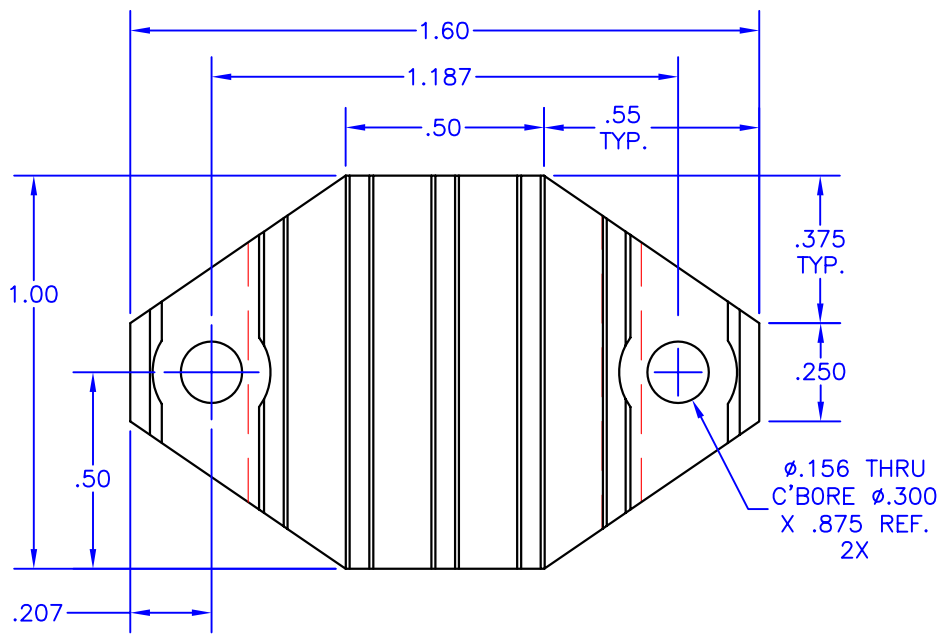
C

B

B

A

A



- NOTES:**
1. Unless otherwise noted, all dimensions are in inches.
 2. Break all sharp edges, de-burr & remove loose chips.
 3. Material: Aluminum (M/F Aavid Thermalloy NP971944)
 4. Finish: Anodize per MIL-A-8625, Type II, Class 2, Black
Typical breakdown voltage > 300V
 5. Mark with contrasting ink as shown, if specified by P.O.
 6. Approximate Weight: 0.6 oz [17g]

TOLERANCES - UNLESS OTHERWISE SPECIFIED						TITLE HEATSINK, TO3		PART NO. HS01	
.XX = ±.01	.XXX = ±.005					SUBJECT MECHANICAL DRAWING		ENG. D-M	
ANG. = ±.5°		SH. OF 1 1		FILENAME: HS01-G		REV G		DATE 10/13/04	

4

3

2

1